

**THINK**  
OUT OF THE  
**BRICK**  
BY BRICKPROJECT

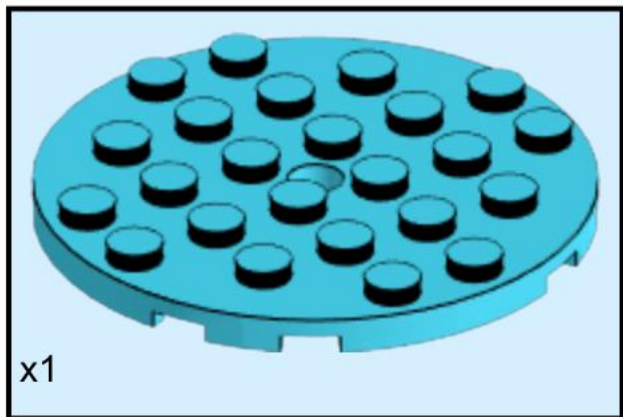


CREATED BY **BRICKPROJECT**

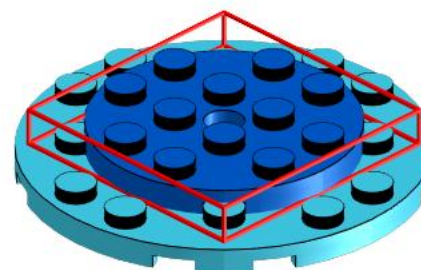
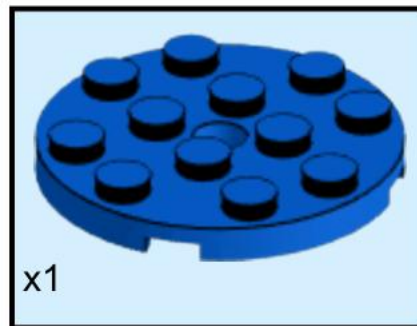


@project\_brick

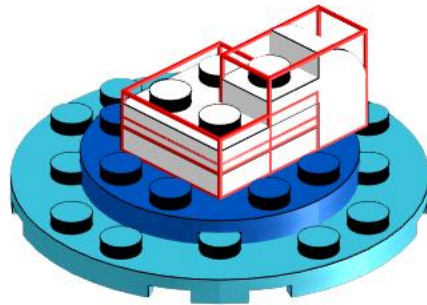
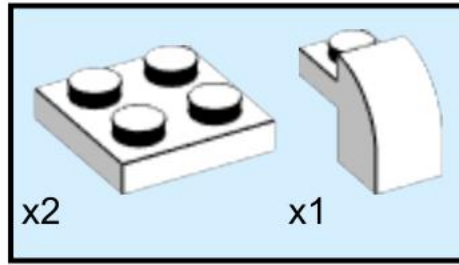
1



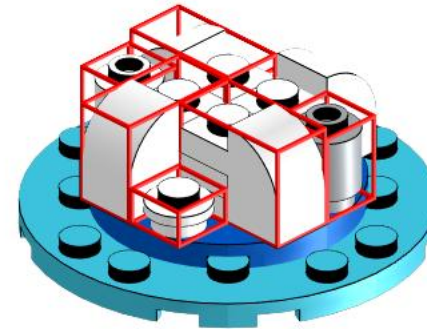
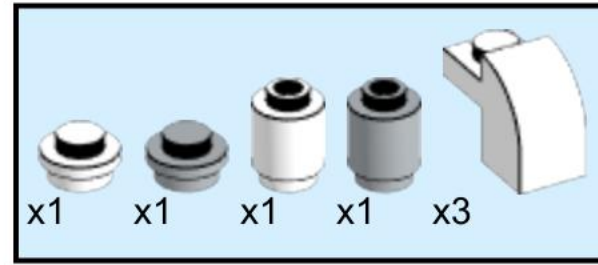
2



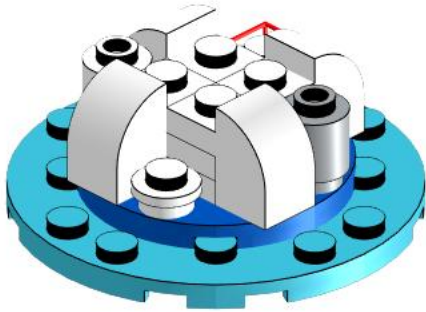
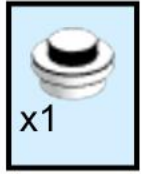
# 3



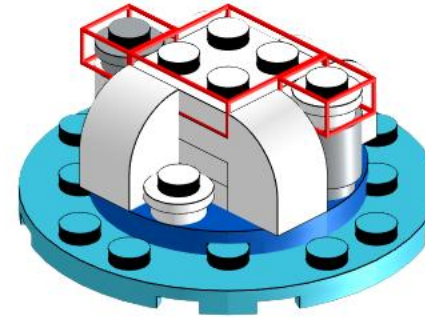
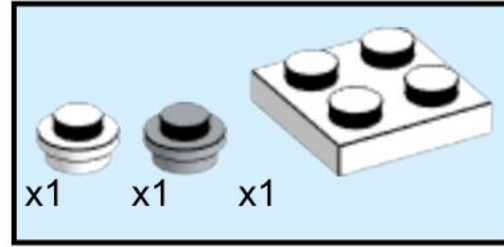
# 4



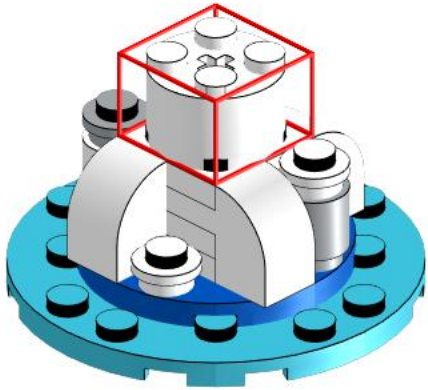
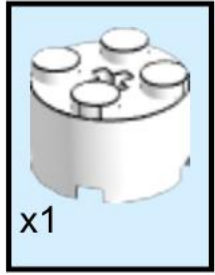
5



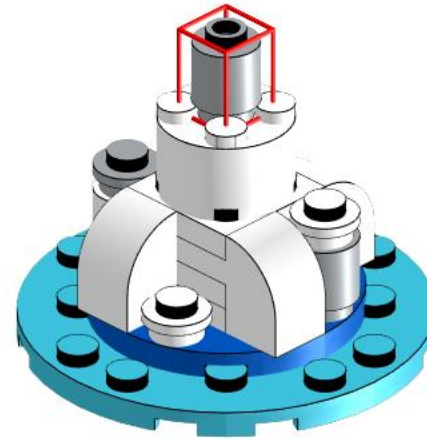
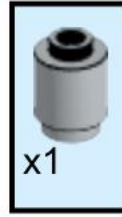
6



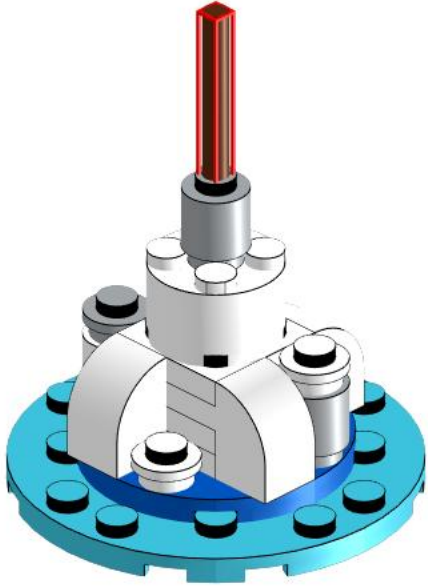
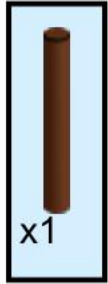
7



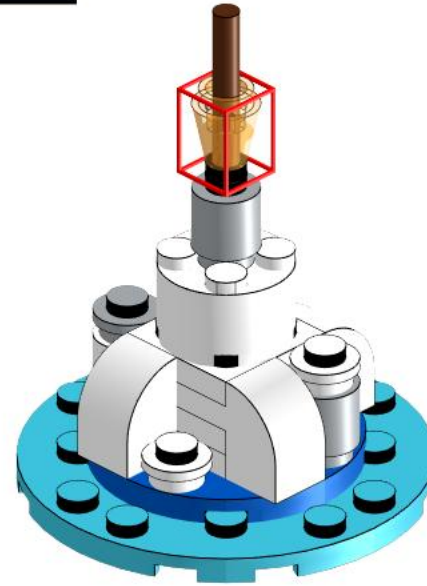
8



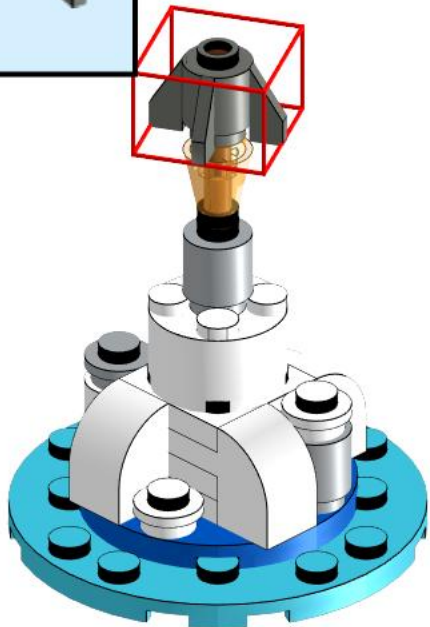
9



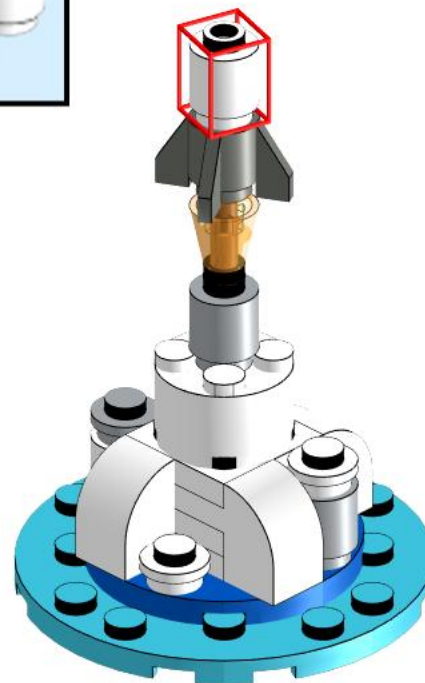
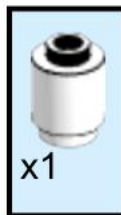
10



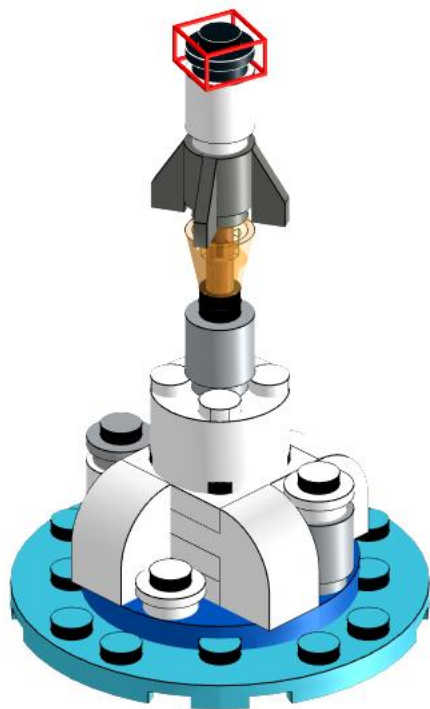
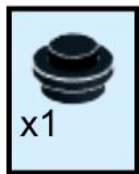
# 11



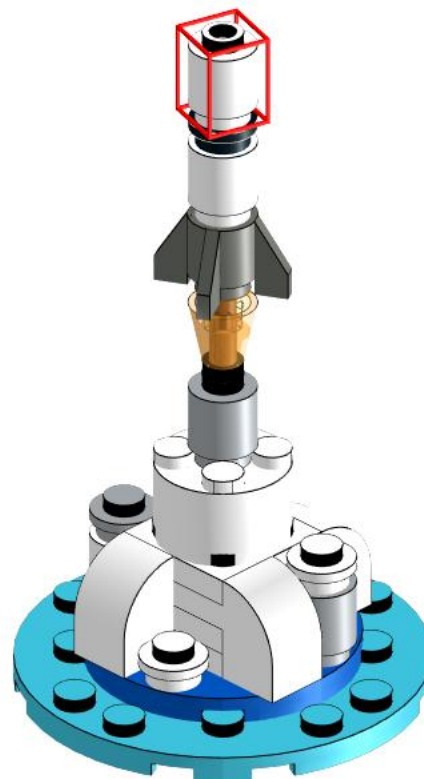
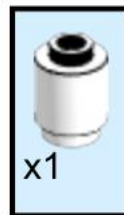
# 12



# 13

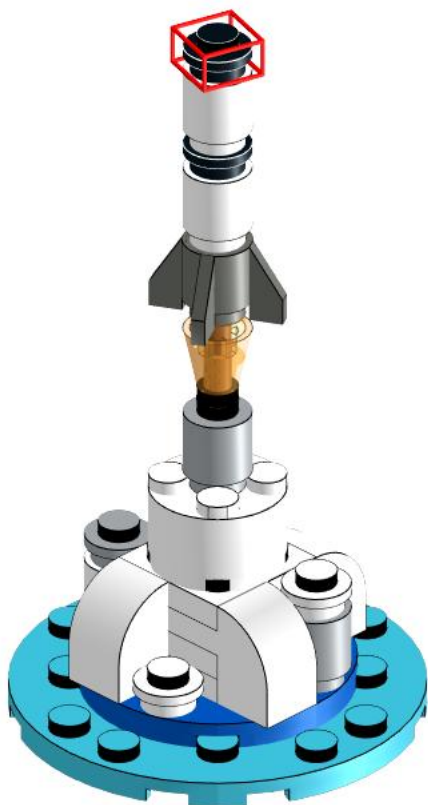
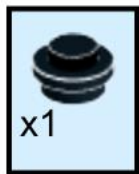


# 14

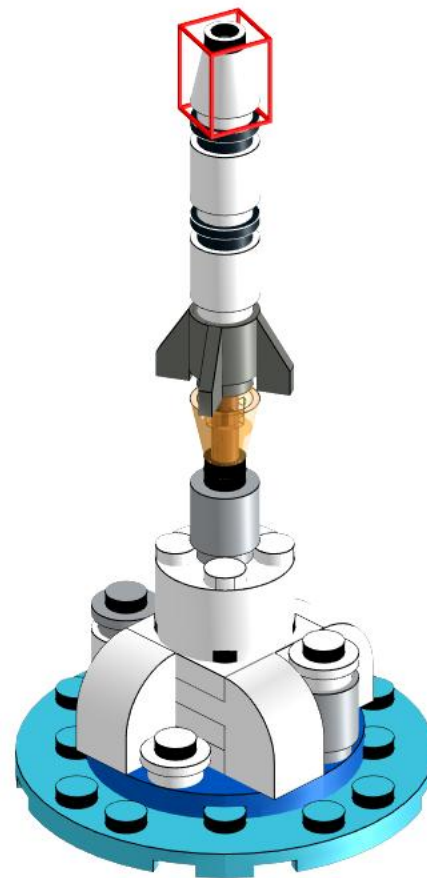




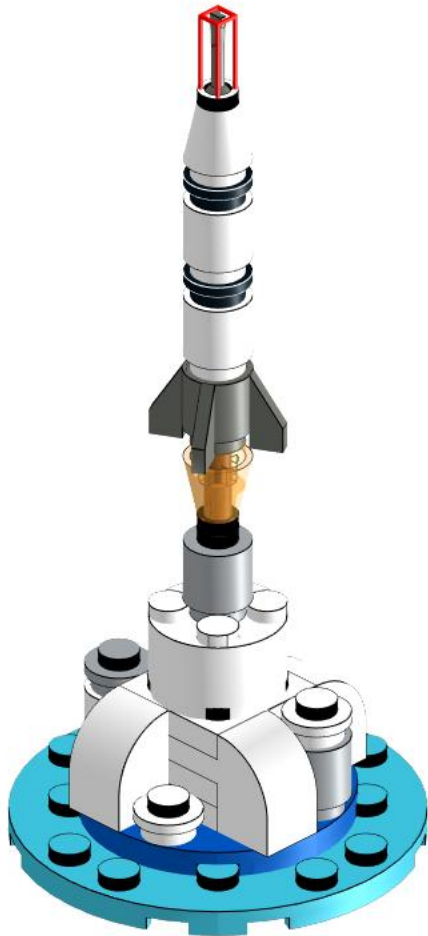
# 15



# 16



17



**BUY PARTS ON BRICKLINK HERE**

<https://studio.bricklink.com/v2/build/model.page?idModel=51529>